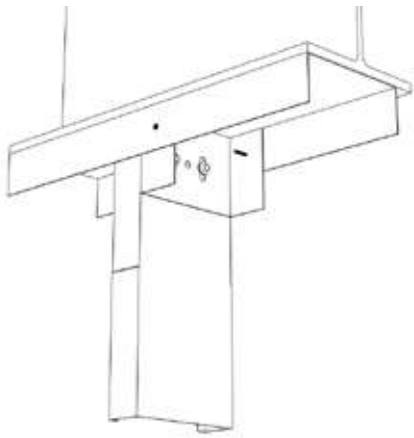


TOLERANCES:
Construction tolerances between frames is -0mm +2mm. Frames are manufactured and assembled to +0mm -2mm.

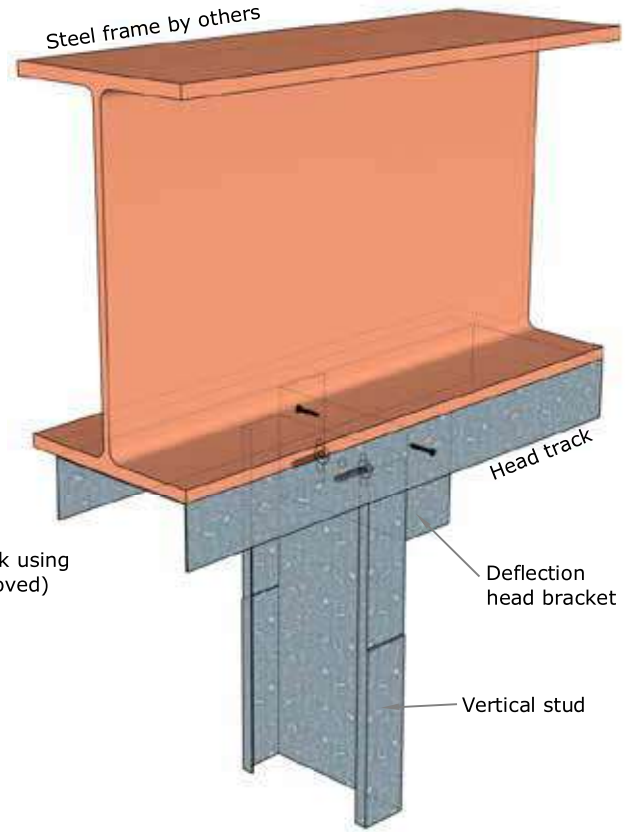
A4

NOTES
THIS DRAWING IS COPYRIGHT: DO NOT SCALE THIS DRAWING. CONTRACTORS MUST CHECK ALL DIMENSIONS ON SITE. ONLY FIGURED DIMENSIONS TO BE WORKED FROM. ALL ERRORS AND DISCREPANCIES MUST BE IMMEDIATELY REPORTED TO THE DESIGN OFFICE OF EOS FRAMING LTD

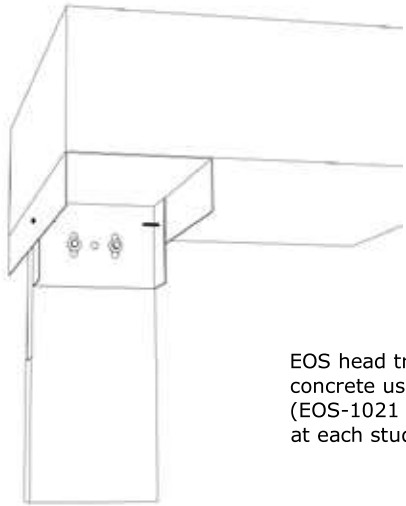
Studs have swaged ends to fit inside the track so that both studs & tracks are the same width to assist in providing as flush a finish as is possible



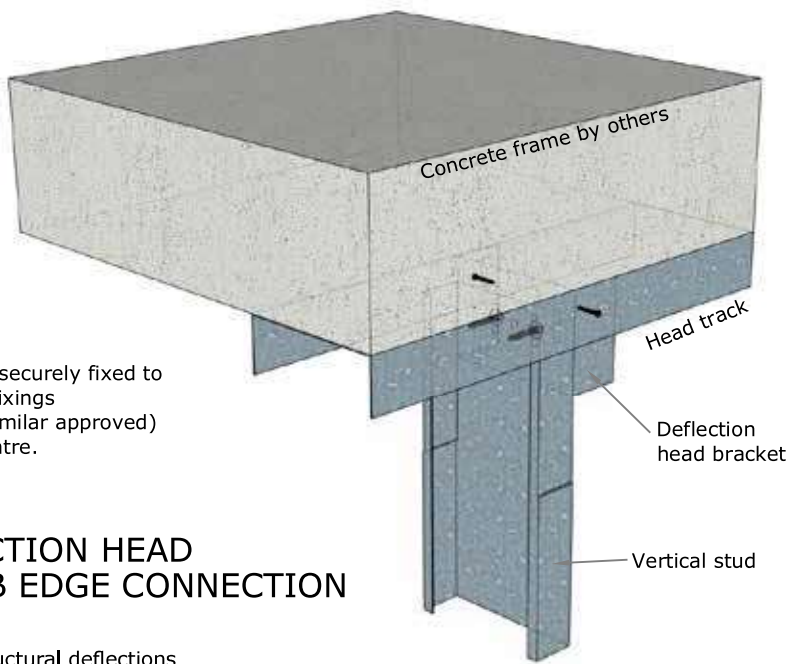
EOS head track securely fixed to steelwork using HR tek screws (EOS-1020 or similar approved) at each stud centre.



TYPICAL DEFLECTION HEAD STEEL EDGE BEAM CONNECTION



EOS head track securely fixed to concrete using fixings (EOS-1021 or similar approved) at each stud centre.



TYPICAL DEFLECTION HEAD CONCRETE SLAB EDGE CONNECTION

NOTE
1. Bracket length and slot size to suit required structural deflections

Title: TYPICAL HEAD TRACK FIXING DETAILS (S & T)					STAGE:	
					Preliminary:	<input type="checkbox"/>
					Approval:	<input type="checkbox"/>
					Construction:	<input checked="" type="checkbox"/>
Drawn By:	Scale:	Drawing No.	Revision:	Approved By:	Date:	
PK	NTS	205	F	AH/KB	AUG 2020	



EOS Framing Ltd, Helghington Lane, Aycliffe Industrial Park, Newton Aycliffe, County Durham, DL5 6QG, Tel: 01325 303030