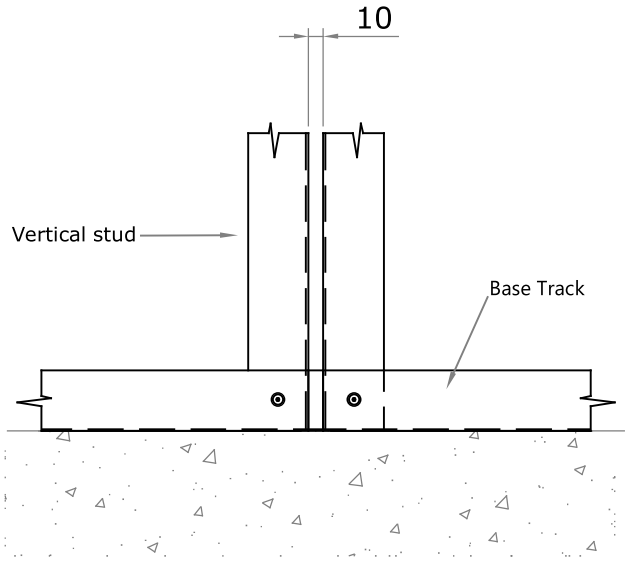


TOLERANCES:
Construction tolerances between frames is -0mm +2mm. Frames are manufactured and assembled to +0mm -2mm.

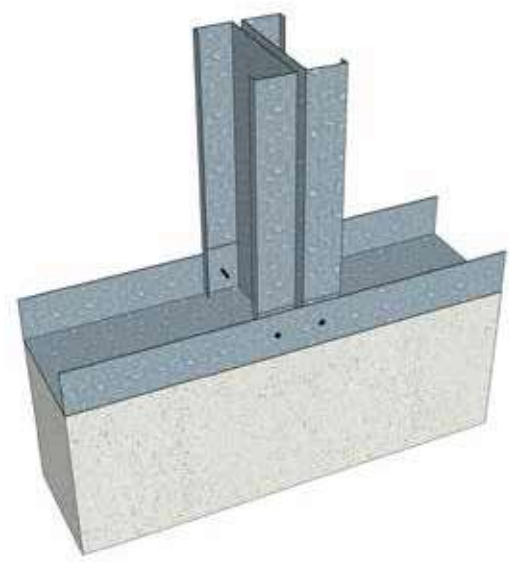
A4

NOTES
THIS DRAWING IS COPYRIGHT. DO NOT SCALE THIS DRAWING. CONTRACTORS MUST CHECK ALL DIMENSIONS ON SITE, ONLY FIGURED DIMENSIONS TO BE WORKED FROM. ALL ERRORS AND DISCREPANCIES MUST BE IMMEDIATELY REPORTED TO THE DESIGN OFFICE OF EOS FRAMING LTD

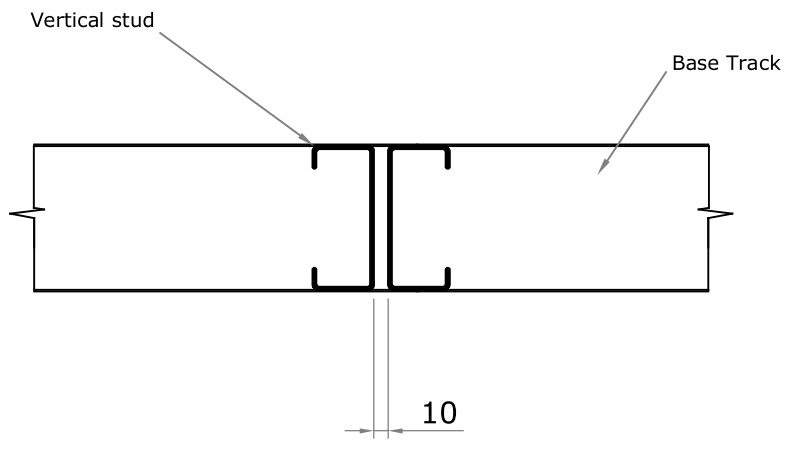
Studs have swaged ends to fit inside the track so that both studs & tracks are the same width to assist in providing as flush a finish as is possible



ELEVATION



3D VIEW



PLAN

NOTE:- 2 No. VERTICAL STUDS PROVIDED WITH NOMINAL 10mm GAP FOR BRICK TIE PROVISION AROUND CLADDING MOVEMENT JOINTS

EOS Framing Ltd, Heighington Lane, Aycliffe Industrial Park, Newton Aycliffe, County Durham, DL5 6QG, Tel: 01325 303030

Title: TYPICAL CLADDING MOVEMENT JOINT DETAIL (S & T)					STAGE:	
					Preliminary:	<input type="checkbox"/>
					Approval:	<input type="checkbox"/>
					Construction:	<input checked="" type="checkbox"/>
Drawn By:	Scale:	Drawing No.	Revision:	Approved By:	Date:	
TE	NTS	217	-	AH/KB	AUG 2020	

