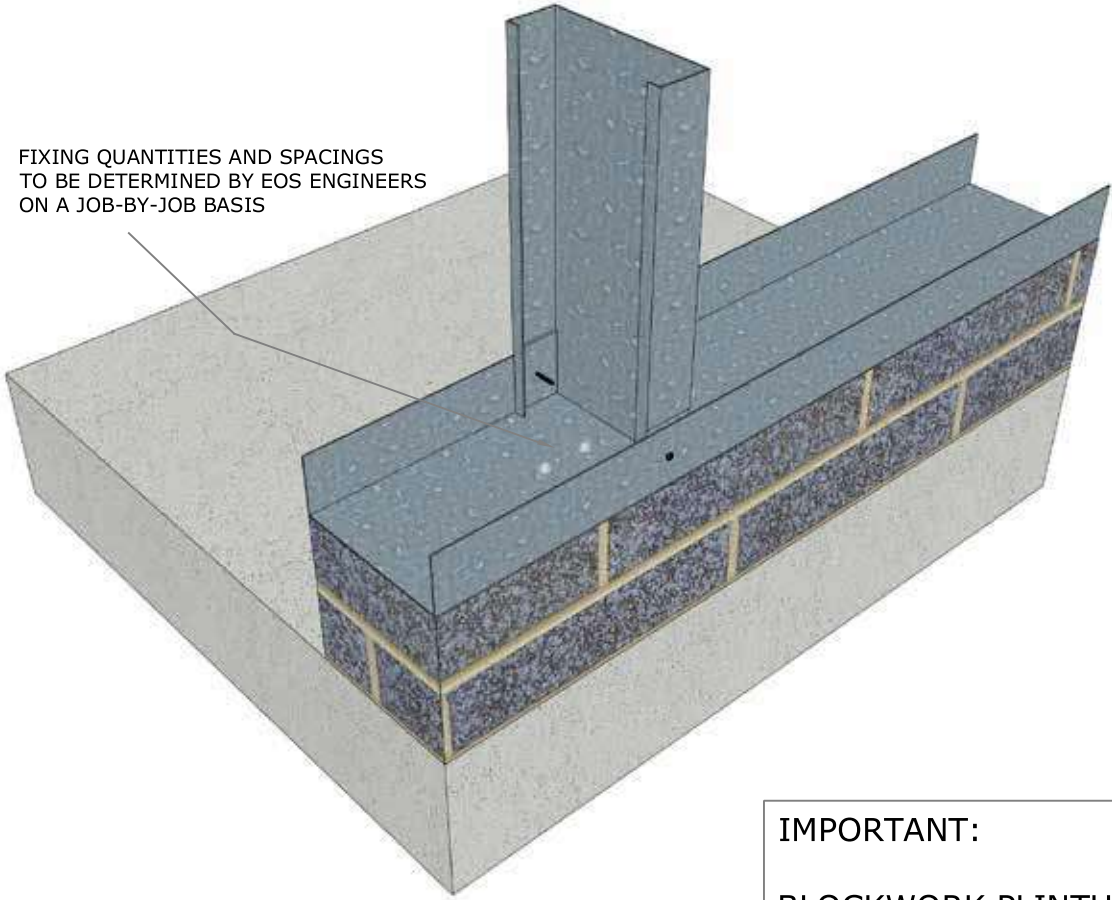


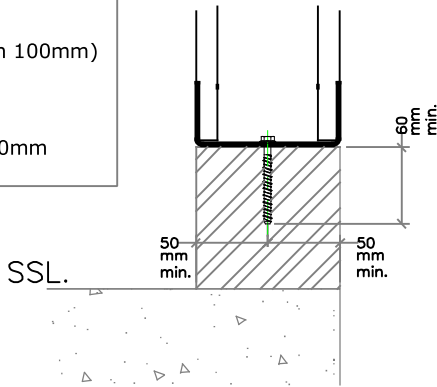
TOLERANCES:
Construction tolerances between frames is -0mm +2mm. Frames are manufactured and assembled to +0mm -2mm.

A4

NOTES
THIS DRAWING IS COPYRIGHT: DO NOT SCALE THIS DRAWING. CONTRACTORS MUST CHECK ALL DIMENSIONS ON SITE, ONLY FIGURED DIMENSIONS TO BE WORKED FROM. ALL ERRORS AND DISCREPANCIES MUST BE IMMEDIATELY REPORTED TO THE DESIGN OFFICE OF EOS FRAMING LTD



RAWL R-WHO-75072 FIXING
MINIMUM EDGE DISTANCE = 50mm
(Fixing not suitable for blocks narrower than 100mm)
MINIMUM EMBEDMENT = 60mm
MINIMUM SPACING BETWEEN FIXINGS = 30mm



IMPORTANT:
BLOCKWORK PLINTH MUST BE ADEQUATELY RESTRAINED BACK TO STRUCTURAL SLAB. BY OTHERS.
SFS NOT SUITABLE ATOP UNRESTRAINED BLOCKWORK PLINTHS.

FIXINGS INTO BLOCKWORK PLINTHS

Title: FIXINGS INTO BLOCKWORK PLINTHS SPECIFICATION (S & T)				STAGE:	
				Preliminary:	<input type="checkbox"/>
				Approval:	<input type="checkbox"/>
				Construction:	<input checked="" type="checkbox"/>
Drawn By: TE	Scale: NTS	Drawing No. 223	Revision: -	Approved By: AH/KB	Date: AUG 2020



EOS Framing Ltd, Heighington Lane, Aycliffe Industrial Park, Newton Aycliffe, County Durham, DL5 6QG, Tel: 01325 303030