

TOLERANCES:
Construction tolerances between frames is -0mm +2mm. Frames are manufactured and assembled to +0mm -2mm.

A4

NOTES

THIS DRAWING IS COPYRIGHT. DO NOT SCALE THIS DRAWING, CONTRACTORS MUST CHECK ALL DIMENSIONS ON SITE, ONLY FIGURED DIMENSIONS TO BE WORKED FROM. ALL ERRORS AND DISCREPANCIES MUST BE IMMEDIATELY REPORTED TO THE DESIGN OFFICE OF EOS FRAMING LTD

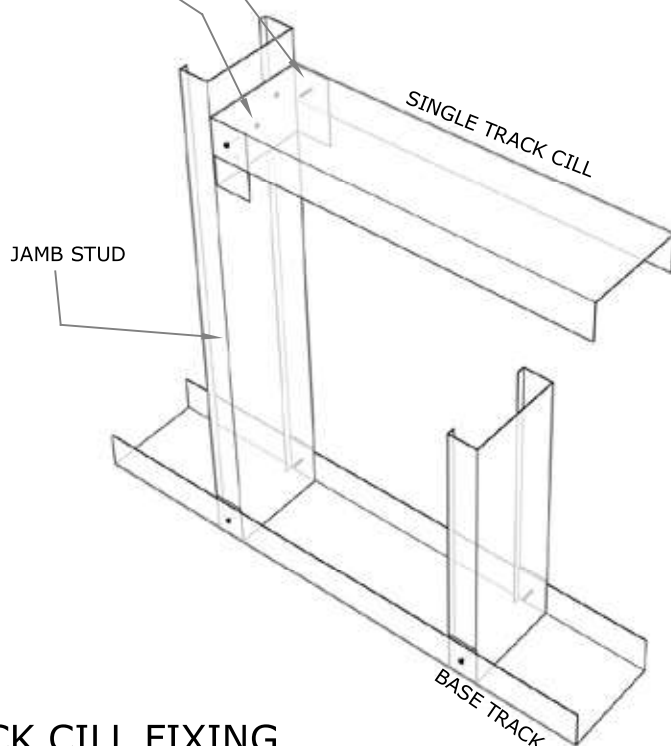
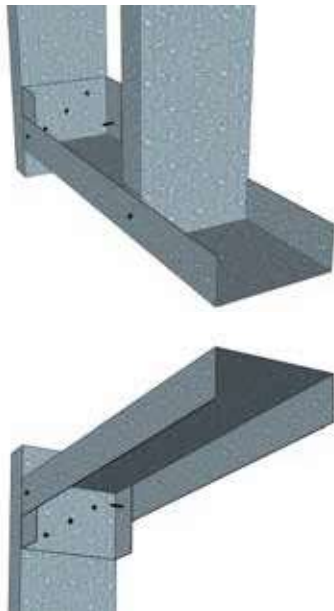
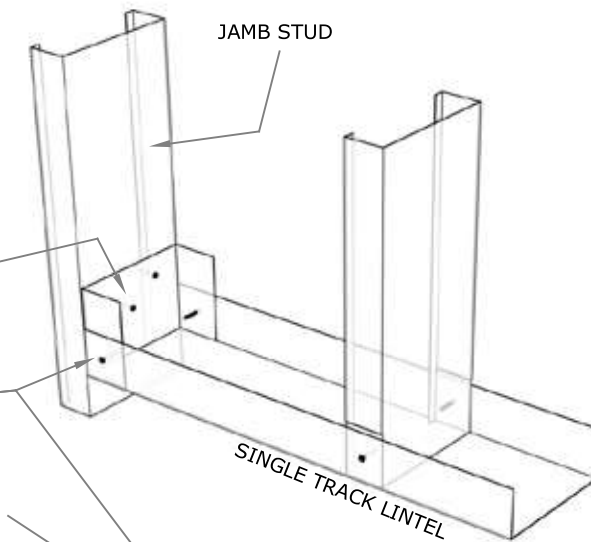
Studs have swaged ends to fit inside the track so that both studs & tracks are the same width to assist in providing as flush a finish as is possible

OPENING SINGLE TRACK LINTEL FIXING

100mm LONG SWAGED CRIPPLE TRACK FIXED TO JAMB STUD USING 3 No 5.5 x 25mm TEK SCREWS (EOS-1005 or similar approved)


LINTEL/CILL TRACK FIXED INTO CRIPPLE TRACK USING 2 No 5.5 x 25mm TEK SCREWS (EOS-1005 or similar approved) ONE FIXING CENTRALLY INTO EACH FLANGE.

100mm LONG SWAGED CRIPPLE TRACK FIXED TO JAMB STUD USING 3 No 5.5 x 25mm TEK SCREWS (EOS-1005 or similar approved)



OPENING SINGLE TRACK CILL FIXING

EOS Framing Ltd, Heighington Lane, Aycliffe Industrial Park, Newton Aycliffe, County Durham, DL5 6QG, Tel. 01325 303030

Title: TYPICAL OPENING - SINGLE TRACK LINTEL & CILL CONNECTION DETAIL (S & T)					STAGE:		
					Preliminary:	<input type="checkbox"/>	
					Approval:	<input type="checkbox"/>	
					Construction:	<input checked="" type="checkbox"/>	
Drawn By:	Scale:	Drawing No.	Revision:	Approved By:	Date:		
PK	NTS	261	F	AH/KB	AUG 2020		